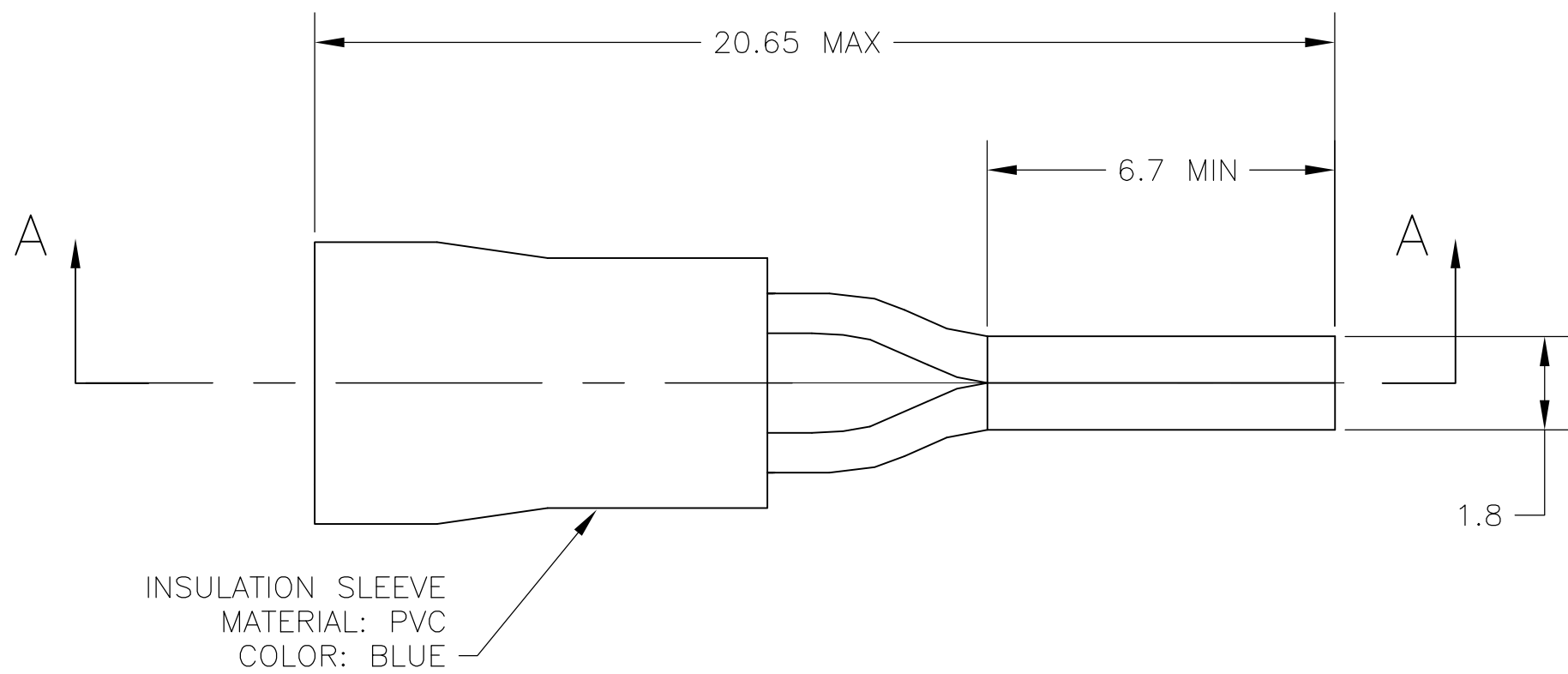


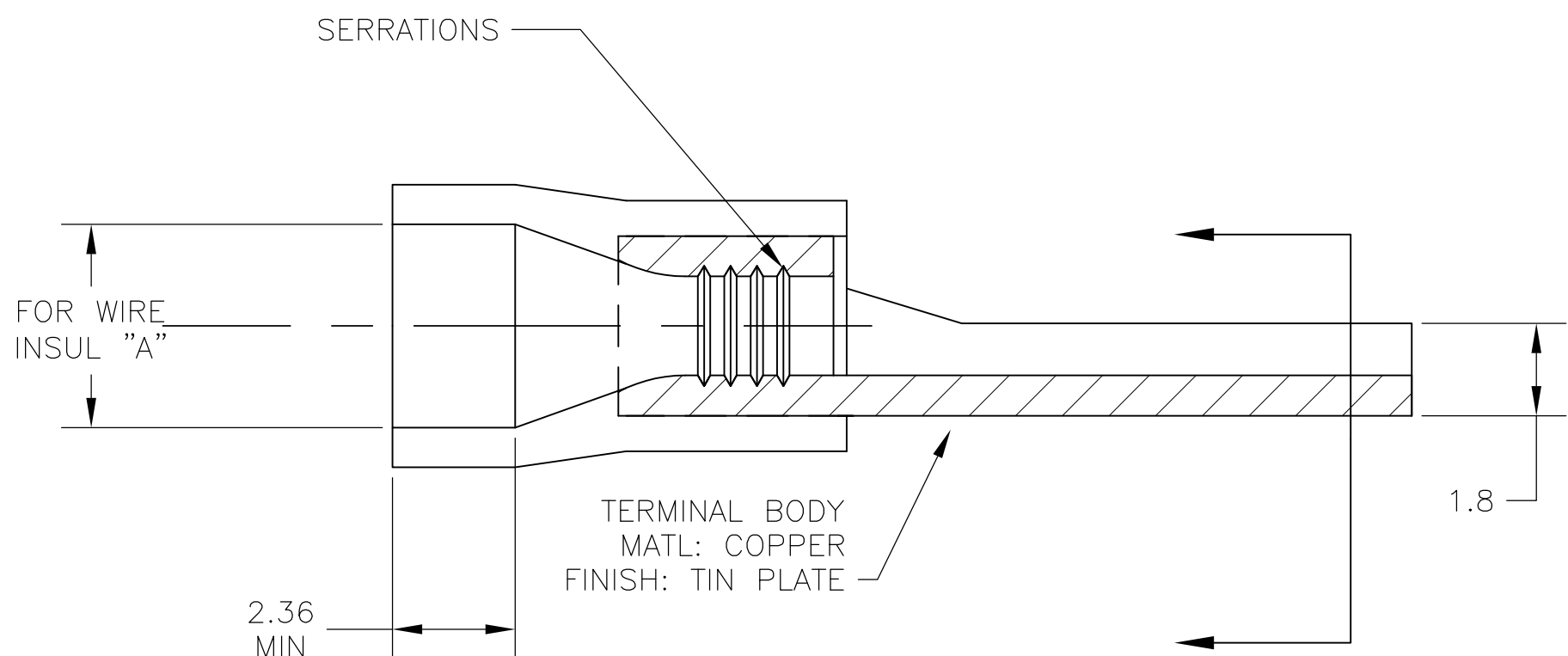
THIS DRAWING IS UNPUBLISHED. RELEASED FOR PUBLICATION  
 © COPYRIGHT BY TYCO ELECTRONICS CORPORATION. ALL RIGHTS RESERVED.

| LOC | DIST | REVISIONS   |                       |         |       |
|-----|------|-------------|-----------------------|---------|-------|
| P   | LTR  | DESCRIPTION | DATE                  | DWN     | APVD  |
| G   | 14   | K           | REV PER ECR 07-023647 | 12OCT07 | jr TM |

- 1 PRELIMINARY - NOT FOR PRODUCTION
- 2 SUPERSEDED BY 165075

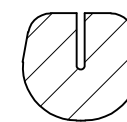


INSULATION SLEEVE  
 MATERIAL: PVC  
 COLOR: BLUE



SECTION A-A

|                          |                          |
|--------------------------|--------------------------|
| <b>AMP</b><br>WIRE RANGE | <b>RU</b> FILE<br>E13288 |
| 16-14 AWG<br>STRANDED    | 16-14 AWG<br>STRANDED    |



|              |                         |            |
|--------------|-------------------------|------------|
|              | .115-.170               | 2 165075-1 |
| 1 2-165075-0 | .115-.190               | 165075     |
| PART NO      | FOR WIRE INSULATION "A" | PART NO    |

|   |  |                                  |   |                        |
|---|--|----------------------------------|---|------------------------|
| THIS DRAWING IS A CONTROLLED DOCUMENT.  |  | DWN<br>jr ruth<br>04JUN07        | Tyco Electronics Corporation<br>Harrisburg, PA 17105-3608 |                        |
| DIMENSIONS:<br>MM INCHES  |  | CHK<br>T MICHIELUTTI<br>04JUN07  | NAME<br>T MICHIELUTTI                                     |                        |
| TOLERANCES UNLESS OTHERWISE SPECIFIED:<br>0 PLC ± -<br>1 PLC ± 0.5<br>2 PLC ± 0.20<br>3 PLC ± -<br>4 PLC ± -<br>ANGLES ± 1° |  | APVD<br>T MICHIELUTTI<br>04JUN07 | PRODUCT SPEC<br>-   |                        |
| MATERIAL<br>-   |  | FINISH<br>-                      | APPLICATION SPEC<br>-                                     | RESTRICTED TO<br>-     |
| WEIGHT<br>-   |  | SIZE<br>A2                       | CAGE CODE<br>00779  | DRAWING NO<br>C=165075 |
| CUSTOMER DRAWING  |  |                                  | SCALE<br>8:1  | SHEET<br>1 of 1        |
|   |  |                                  | REV<br>K  |                        |